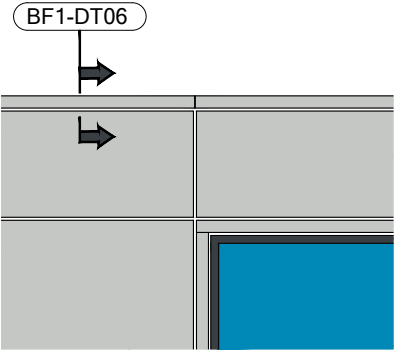


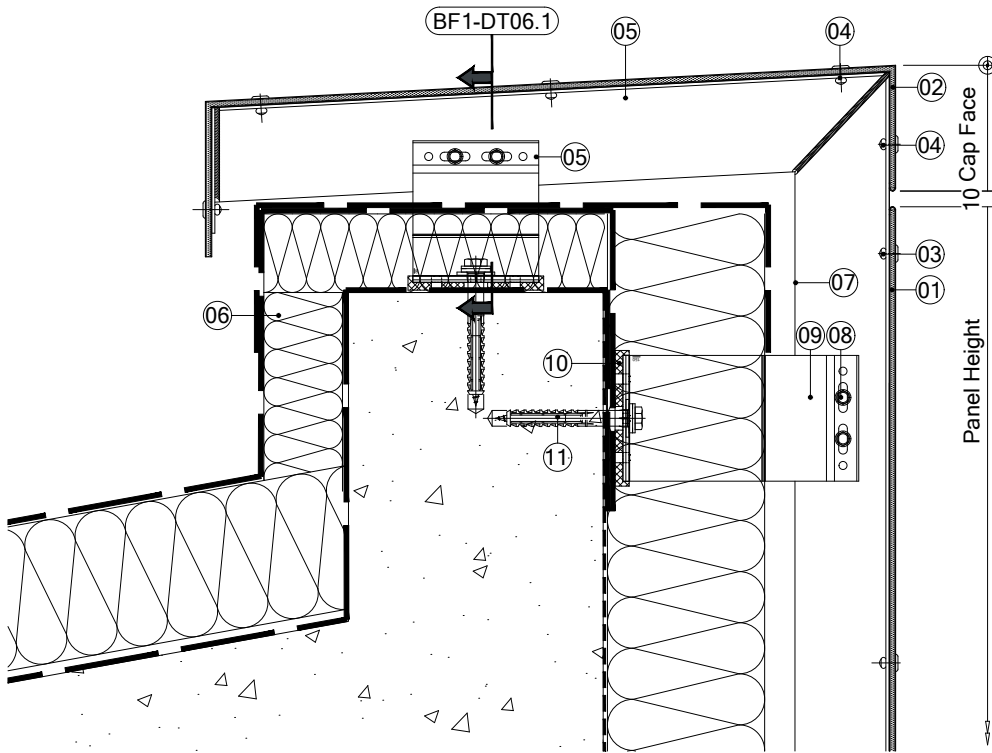
Drawing is the copyright of Britfab Ltd and may not be copied, any unauthorised distribution to third parties is strictly forbidden.

Product changes in the sense of a technical progress are reserved. All advice recommendation and information is given to the best of our knowledge but without any obligation on our part.

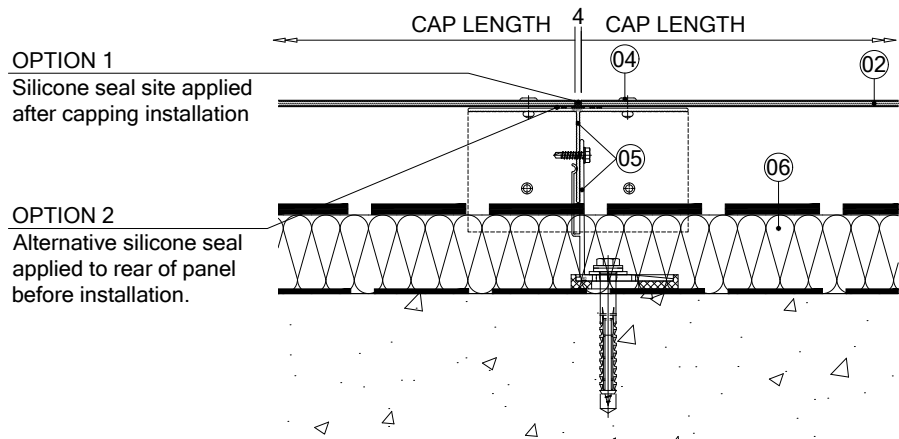
ELEVATION REFERENCE



BF1-DT06 - CAPPING DETAIL



BF1-DT06.1 - SECTION ON CAPPING



DRG. KEY

- 01 - BF1 Wall Panel
- 02 - BF1 Capping Panel
- 03 - Wall Panel to support rail fixing **
- 04 - Capping Panel to support rail fixing. **
- 05 - Indicative capping supports and fixings**
- 06 - Indicative roof and parapet build up **
- 07 - BFMFT-T Vertical support rail
- 08 - Support rail to bracket fixing - 4.8mm stainless steel tek screw (x2 per bracket)
- 09 - BFMFT-MFI Helping hand bracket (size varies to suit cladding zone)
- 10 - 5mm thk isolator pad
- 11 - Bracket to substructure anchor fixing

Items marked with ** denotes indicative items, not part of Britfab supply

Rev	Date	Alteration	Initial
BRITFAB LIMITED Unit 16, Kyle Road, Irvine Ayrshire KA2 8JU Office: 01294 274 257 Web: britfab.com			
Title: BF1 - Capping Detail			
Drawn By: GD		Checked By: -	
Scale: 1:5 @ A4		Date: 00.00.00	
System Ref: - BF1		Drawing Number: - DT06	Revision: - 00
Status: INFORMATION			